

P60PCS

260W/255W/250W/245W/240W

PRODUCT SPECIFICATION



- Industry leading module power output warranty
- International quality, safety and performance certifications
- Manufacturing facility certified to ISO9001 quality management system standards
- Beautiful appearance, good durability & easy installation
- Special design in accordance with requirements of customers



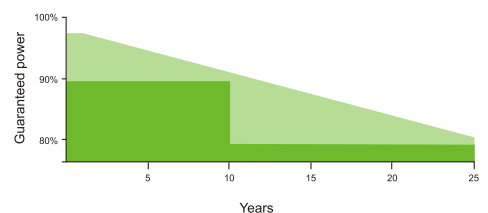
WARRANTIES

10 years for product defects in materials & workmanship

10 years for 90% of warranted minimum power output

25 years for 80% of warranted minimum power output

25 years linear warranty



QUALITY DESIGN | GREAT DURABILITY | EASY INSTALLATION

Zhejiang BLD Solar Technology Co., LTD
 Qinggang Industrial Zone, Yuhuan, Zhejiang, 317606 China
 Tel: +86 576-81731999 Fax: +86 576-81731990
 E-mail: sales@bldsolar.com Http://www.bldsolar.com

P60PCS 260W/255W/250W/245W/240W PRODUCT SPECIFICATION

Electrical parameters at standard test conditions
(STC:AM=1.5, 1000W/m², Cells Temperature 25°C)

Typical type	260W	255W	250W	245W	240W
Max power(Pmax)	260	255	250	245	240
Max power voltage(Vmp)	30.43	30.41	30.39	30.25	30.18
Max power current(Imp)	8.54	8.28	8.23	8.1	7.96
Open circuit voltage(Voc)	37.12	37.1	36.97	36.8	36.72
Short circuit current(Isc)	9.65	9.34	9.29	9.15	8.99
Cell efficiency(%)	18.34	17.98	17.6	17.2	17
Module Efficiency(%)	15.98	15.67	15.37	15.06	14.75
Max system voltage	DC1000V				
Maximum Series Fuse Rating	15A				

Mechanical Data

Dimensions	1640x992x40/35mm
Weight	18kgs
Front glass	3.2 mm tempered glass
Output cables	4 mm ² symmetrical lengths 900 mm
Connectors	MC4 compatible IP67
Cell type	Poly Crystalline Silicon 156mmx156mm
Number of cells	60 cells in series

Temperature Characteristics

Temp.Coeff.of Isc(TK Isc)	0.045% / °C
Temp.Coeff.of Voc(TK Voc)	(-0.34%) / °C
Temp.Coeff.of Pmax(TK Pmax)	(-0.47%) / °C
Operating temperature	(-40~+85%) °C
Normal operating cell temperature	45±2°C

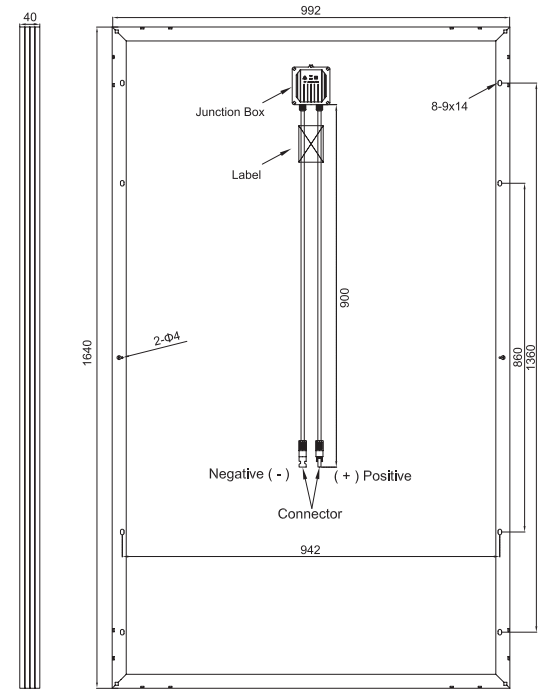
Packing Configuration

Container	20'GP	40'GP	40'HQ
Pieces per pallet	46	46	56
Pallets per container	6	14	14
Pieces per container	276	644	784

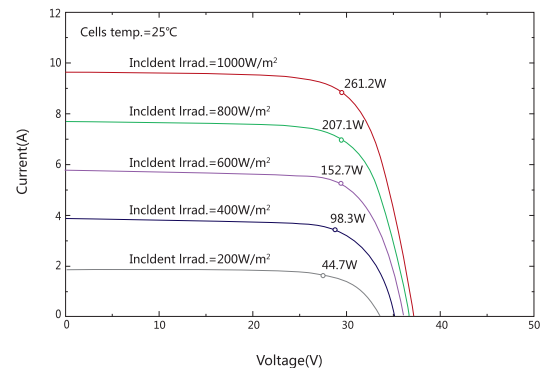
Tests, Certifications and Warranties

Standard tests	IEC 61215, IEC 61730
System certs	ISO 9001, ISO14001
Certifications	TUV, CE, MCS, PV CYCLE, CEC, CHUBB
Extreme wind and snow loads testing	Withstand extreme wind(2400 Pascal) and snow loads(5400 Pascal)
Positive tolerance	0~+3%
Junction box	≥ IP65
Warranties	10 years material and workmanship and 25 years output at least 80%

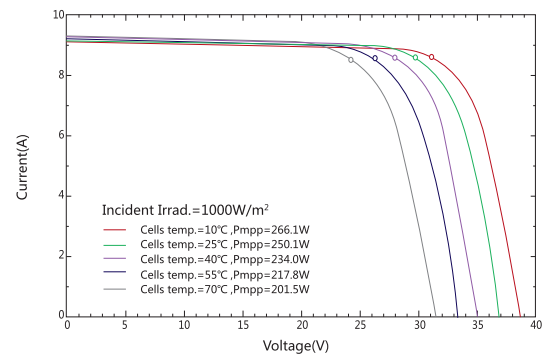
Dimensions and Structure



I-V Curve



I-V Curves at different irradiance



I-V Curves at different temperature