

Single Phase Inverter Second Generation



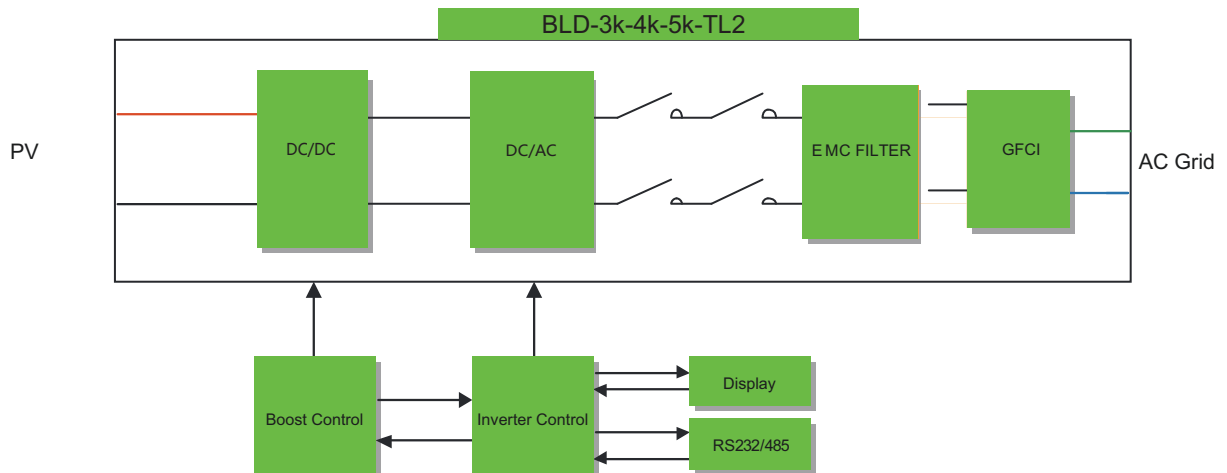
BLD-3k-4k-5k-TL2



Product features

Features	Advantages	Benefits
● Standard 10 years warranty, extensional up to 15 years	● Longer life cycle	● More stable and reliable
● Built-in GPRS as option	● Plug and play	● No commissioning work to get real-time remote monitoring
● Built-in Wifi as option	● Free monitoring fee for data transmission	● More convenient monitoring solution without any charge
● External Inductor and built-in fan	● Very lower internal temperature	● Longer life cycle
● Smaller and lighter, 5kw only 16kg	● Easy transportation and installation	● Saving storage and installation space
● High performance DSP for algorithm control	● Faster CPU speed	● Higher inverter control accuracy
● VDE-AR-N 4105 certification	● Adjustable active and reactive power	● Meet the latest certification and regulations
● High performance topology design	● Maximum conversion efficiency up to 97.8%, CEC up to 97.3%	● Increase system payback ability
● Dual MPPT design	● More flexible system design	● Fit in various installation environments
● Multi-button touch interface	● User friendly operation	● Easy to operate

Block Diagram



Technical Data

BLD-3k/-4k/-5k-TL2

Type		BLD-3k-TL2	BLD-4k-TL2	BLD-5k-TL2
Input(DC)				
Max.PV-Generator Power	[W]	3400	4600	5200
Max DC Voltage	[V]		590	
Rated Voltage	[V]		360	
MPPT DC Voltage Range	[V]		120 - 500	
Turn off DC Voltage	[V]		90	
Max. DC Current	[A]	12*2	16*2	18*2
Nominal DC Current	[A]	10*2	13*2	14*2
Number of DC Connection			2	
Max. Input Power, each MPPT	[W]	2000	2600	3000
DC-Connection			MC4	
Number of MPP trackers			2	
Turn on Power	[W]		10	
Output (AC)				
Max. AC Apparent Power	[VA]	3300	4400	5000
Nominal AC Power	[W]	3000	4000	4600
Max. AC Current	[A]	14.4	19.0	22.0
Nominal AC Current	[A]	13.0	17.4	20.0
Grid Voltage Range		185V...276V(depend on regional settings)		
Rated Frequency		50Hz and 60Hz		
Power Factor		0.95 capacitive...0.95 inductive		
THD(AC Output current)		<2%		
AC Connector		Plug-in connector		
Power consumption				
Power Consumption at Night	[W]		<1	
Power Consumption at Standby	[W]		6	
Efficiency				
Max. Efficiency		98.2%	98.2%	98.2%
Euro Efficiency		97.3%	97.5%	97.5%
MPPT Efficiency			99.9%	
Safety and Protection				
Internal Overvoltage Protection			Yes	
DC Insulation Monitoring			Yes	
Earth Fault Protection			Yes	
Grid Monitoring		According to VDE 0126-1-1, VDE-AR-N 4105,RD1669, ENEL2010,C10/11,		
Earth Fault Current Monitoring		According to VDE 0126-1-1,VDE-AR-N 4105,RD1669, ENEL2010,C10/11,		
DC Current Monitoring		According to VDE 0126-1-1, VDE-AR-N 4105,RD1669, ENEL2010,C10/11,		
Islanding Protection		According to VDE 0126-1-1, VDE-AR-N 4105,RD1663, G83/1, A		
Normative reference				
CE- Compliant According to		EN 62109, EN 61000-6-1, EN 61000-6-3, EN 61000-6-2, EN 61000-6-4 EN61000-3-2, EN61000-3-3, EN61000-3-12, EN61000-3-11		
Dimensions and weight				
Dimensions (WxHxD)	[mm]		352x421x162.5	
Weight	[kg]	16.5	16.5	16.5
Environmental limits				
IP Protection Type			IP 65 according to IEC 60529	
Operating Temperature Range		-20°C to+60°C,up to 45°C without derating		
Relative Humidity		0% to 98%, no condensation		
Maximum Altitude (above sea level)	[m]		2000	
Noise Level	[dBA]		< 40	
General data				
Isolation Type		Transformerless		
Cooling Concept		Convection		
Housing		Iron housing for inside and outside installation		
Mounting Information		Wall bracket		
LED Display		3		
LCD Display		Backlight, 20 x 4 Character LCD		
Data Logger				
Data Communication Interfaces		RS485,USB ,Optional (Wi-Fi, GPRS)		
Computer Communication		USB		
Standard Warranty		5 Years (5-25 years optional)		

Qinggang Industrial Zone, Yuhuan,Zhejiang

<http://www.bldsolar.com>

sales@bldsolar.com

+86-576-81731999

+86-576-81731990



Zhejiang BLD Solar Technology CO.,LTD