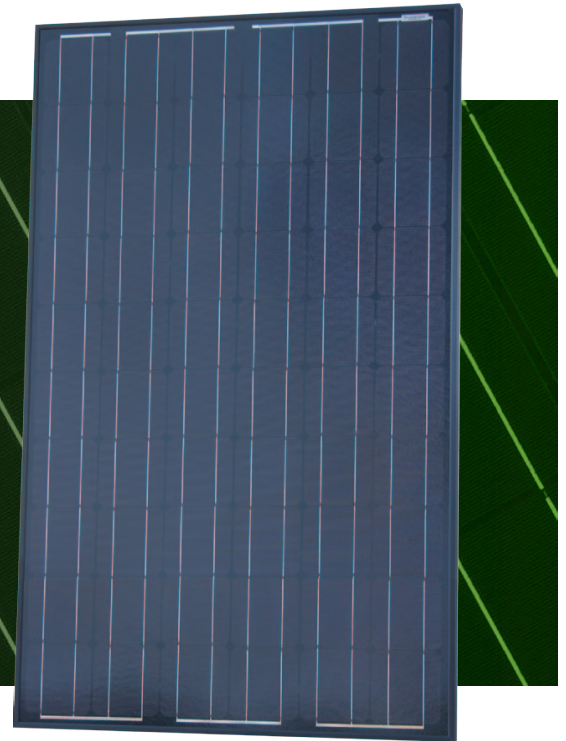


# M60PCS(BLACK)

270W/265W/260W/255W/250W

## PRODUCT SPECIFICATION



- Industry leading module power output warranty
- International quality, safety and performance certifications
- Manufacturing facility certified to ISO9001 quality management system standards
- Beautiful appearance, good durability & easy installation
- Special design in accordance with requirements of customers



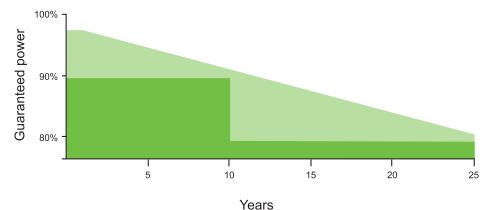
## WARRANTIES

**10 years** for product defects in materials & workmanship

**10 years** for 90% of warranted minimum power output

**25 years** for 80% of warranted minimum power output

**25 years** linear warranty



**QUALITY DESIGN | GREAT DURABILITY | EASY INSTALLATION**

Zhejiang BLD Solar Technology Co., LTD  
 Qinggang Industrial Zone, Yuhuan, Zhejiang, 317606 China  
 Tel: +86 576-81731999 Fax: +86 576-81731990  
 E-mail: sales@bldsolar.com Http://www.bldsolar.com

# M60PCS(BLACK) 270W/265W/260W/255W/250W PRODUCT SPECIFICATION

Electrical parameters at standard test conditions  
(STC:AM=1.5, 1000W/m<sup>2</sup>, Cells Temperature 25°C )

Typical type	270W	265W	260W	255W	250W
Max power(Pmax)	270	265	260	255	250
Max power voltage(Vmp)	31.48	31.37	31.26	31.1	30.96
Max power current(Imp)	8.58	8.45	8.317	8.2	8.07
Open circuit voltage(Voc)	38.56	38.46	38.32	38.1	37.92
Short circuit current(Isc)	9.27	9.13	8.9	8.76	8.62
Cell efficiency(%)	19.4	19.04	18.68	18.32	17.96
Module Efficiency(%)	16.60	16.29	15.98	15.67	15.37
Max system voltage	DC1000V				
Maximum Series Fuse Rating	15A				

## Mechanical Data

Dimensions	1640x992x40/35mm
Weight	18kgs
Front glass	3.2 mm tempered glass
Output cables	4 mm <sup>2</sup> symmetrical lengths 900 mm
Connectors	MC4 compatible IP67
Cell type	Mono Crystalline Silicon 156mmx156mm
Number of cells	60 cells in series

## Temperature Characteristics

Temp.Coeff.of Isc(TK Isc)	0.037% / °C
Temp.Coeff.of Voc(TK Voc)	(-0.34%) / °C
Temp.Coeff.of Pmax(TK Pmax)	(-0.48%) / °C
Operating temperature	(-40~+85%) °C
Normal operating cell temperature	45±2°C

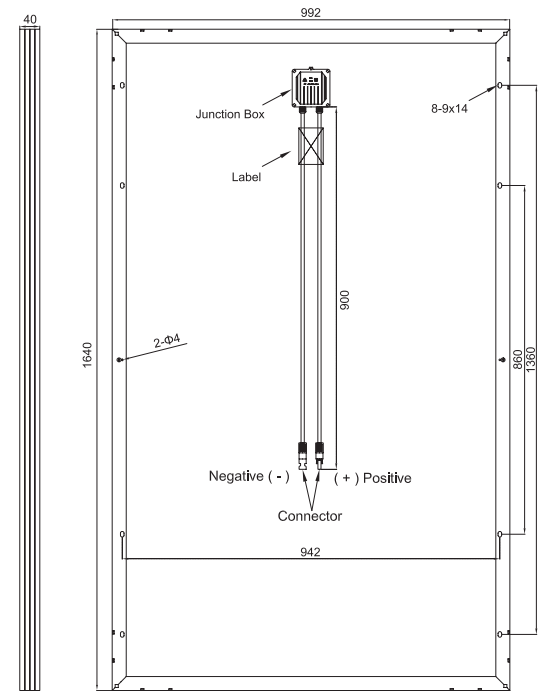
## Packing Configuration

Container	20'GP	40'GP	40'HQ
Pieces per pallet	46	46	56
Pallets per container	6	14	14
Pieces per container	276	644	784

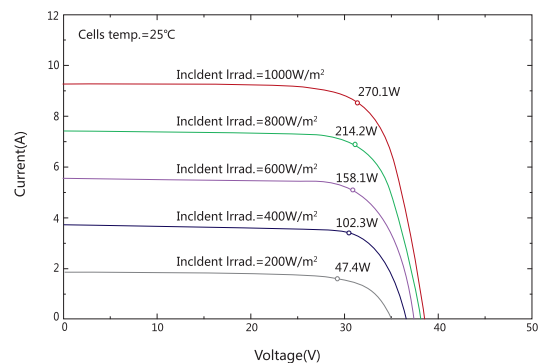
## Tests, Certifications and Warranties

Standard tests	IEC 61215, IEC 61730
System certs	ISO 9001, ISO14001
Certifications	TUV, CE, MCS, PV CYCLE, CEC, CHUBB
Extreme wind and snow loads testing	Withstand extreme wind(2400 Pascal) and snow loads(5400 Pascal)
Positive tolerance	0~+3%
Junction box	≥ IP65
Warranties	10 years material and workmanship and 25 years output at least 80%

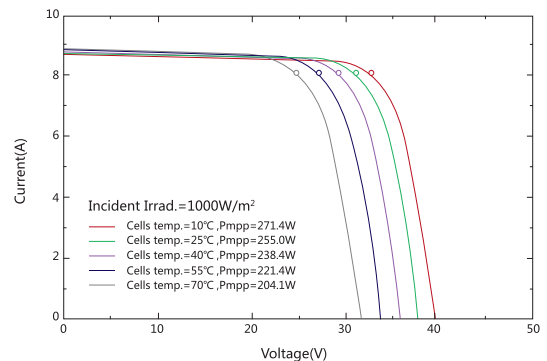
## Dimensions and Structure



## I-V Curve



I-V Curves at different irradiance



I-V Curves at different temperature